

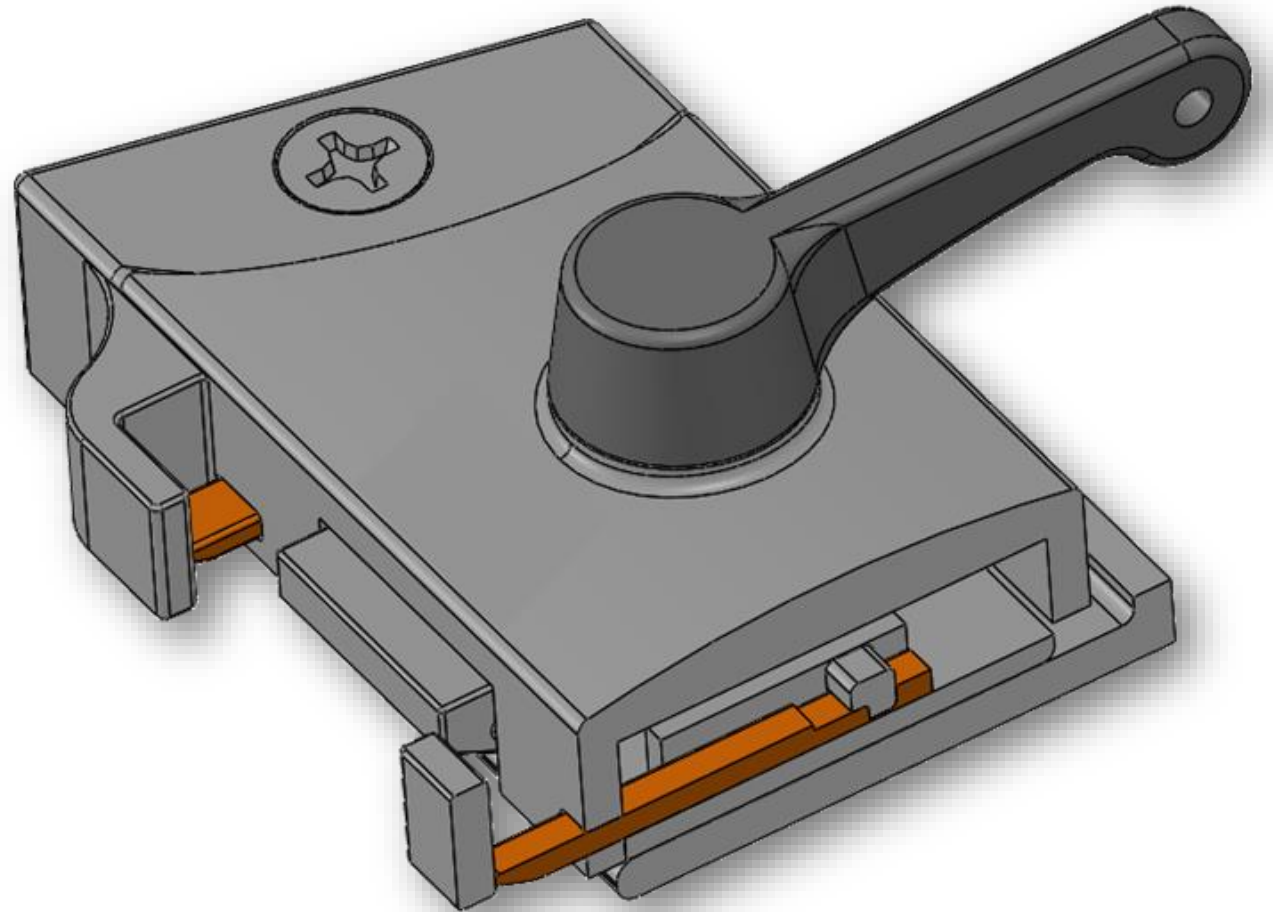


Auto Lock Mechanism

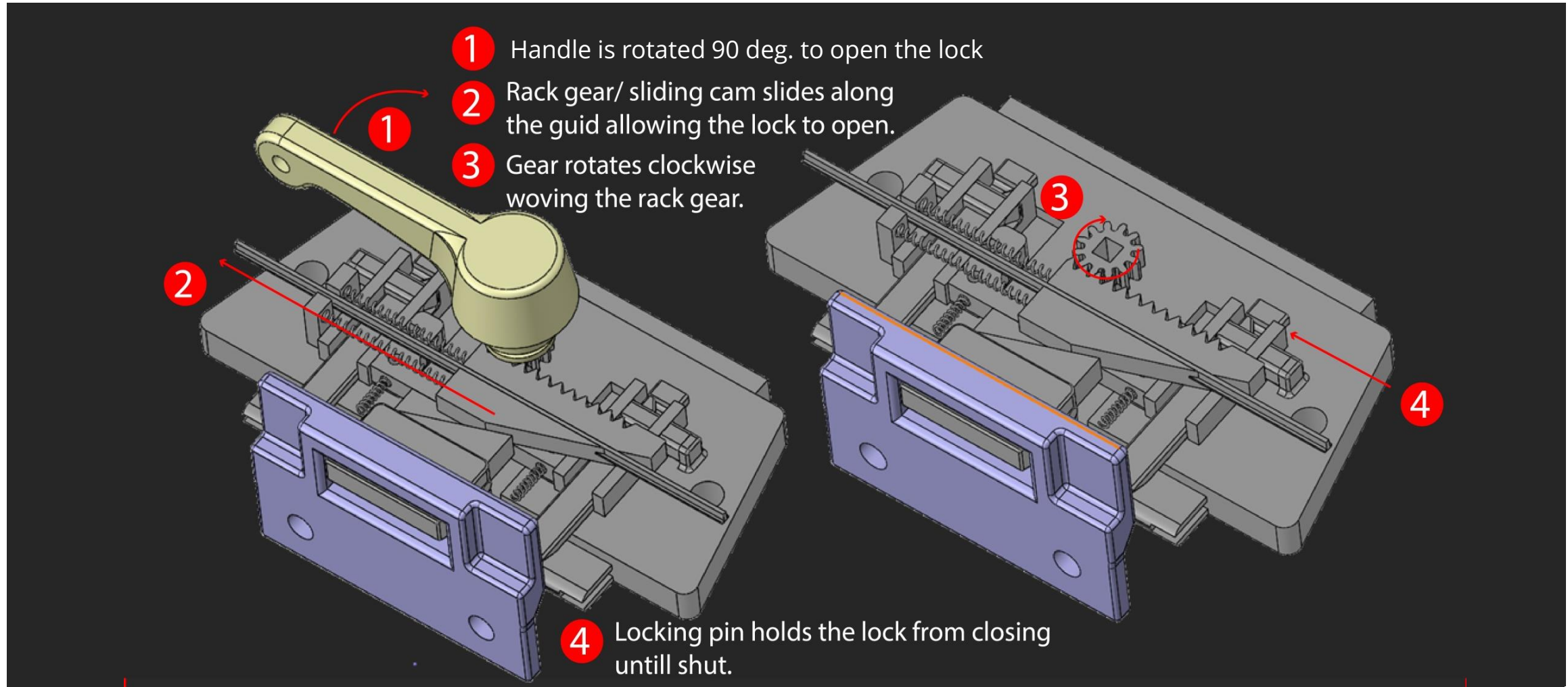


Auto Lock Mechanism

- ❑ AES designed and developed an auto-lock mechanism that has the salient feature of automatically locking the door when it is closed. One of the advantages of an automatic lock is its keyless feature.
- ❑ When the angle is rotated to 90degree the rack gear slides along with guide and the wedge mechanism moves the locking pin inside so it unlocks door.
- ❑ Similarly when the door is shuts the auto lock mechanism locks the door automatically.

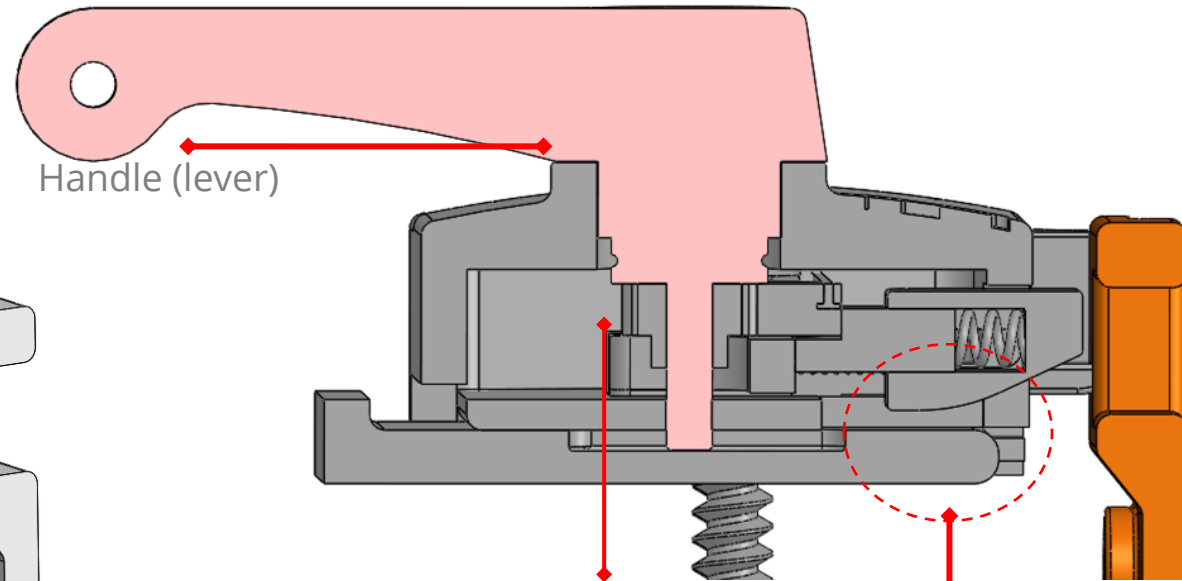
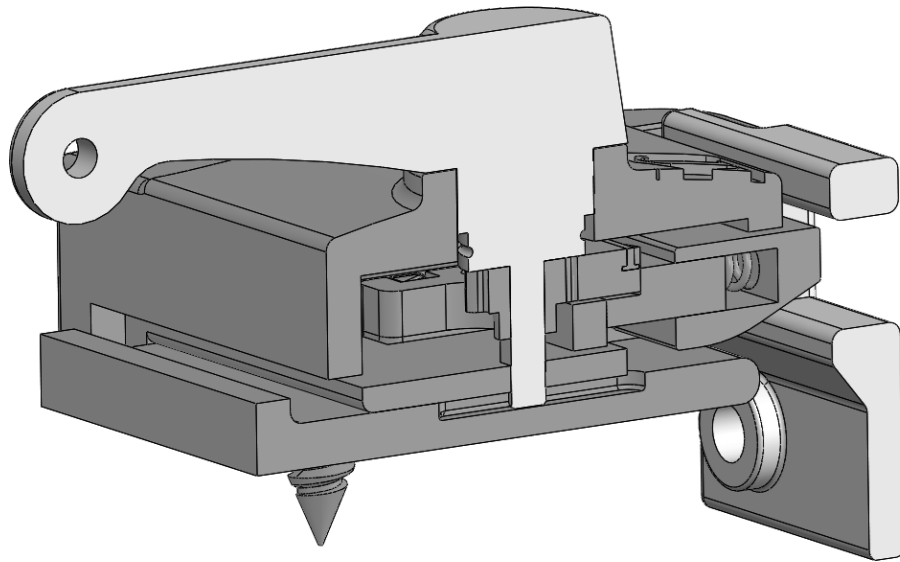


Auto Lock Mechanism



Auto Lock Mechanism

Unlocked position

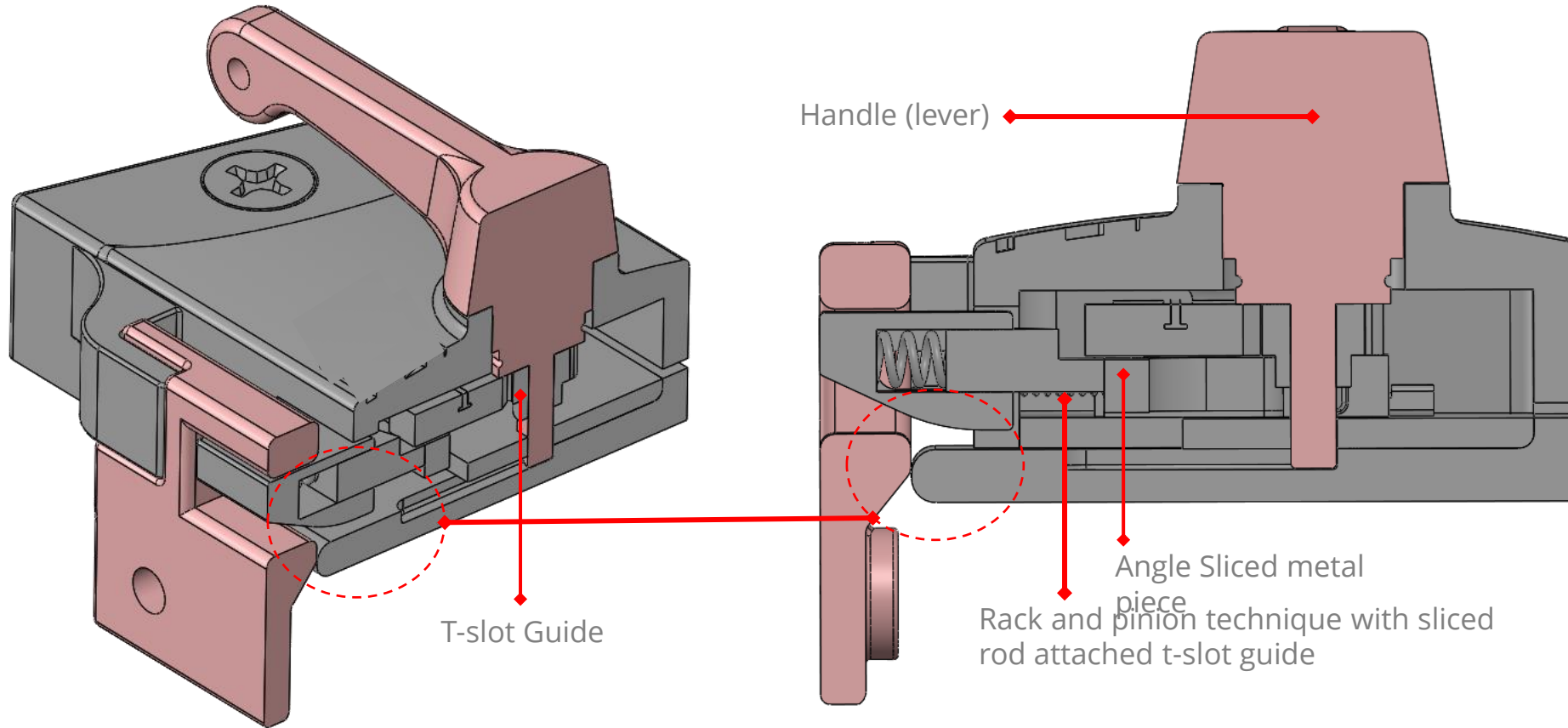


Handle (lever)

Angle sliced metal piece

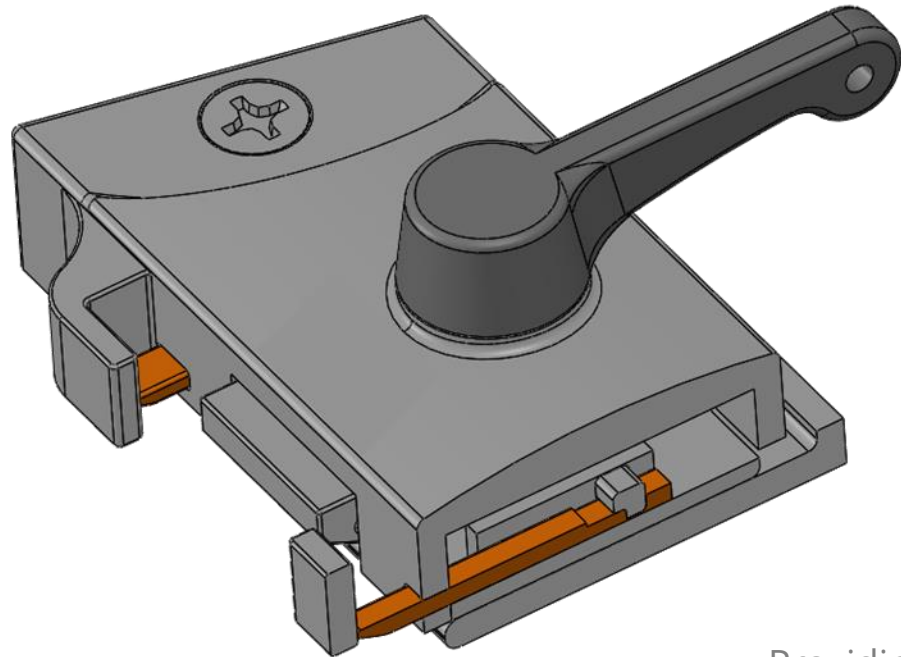
Providing a strong rib that arrest Gap ,it will open when its unlock position

Auto Lock Mechanism

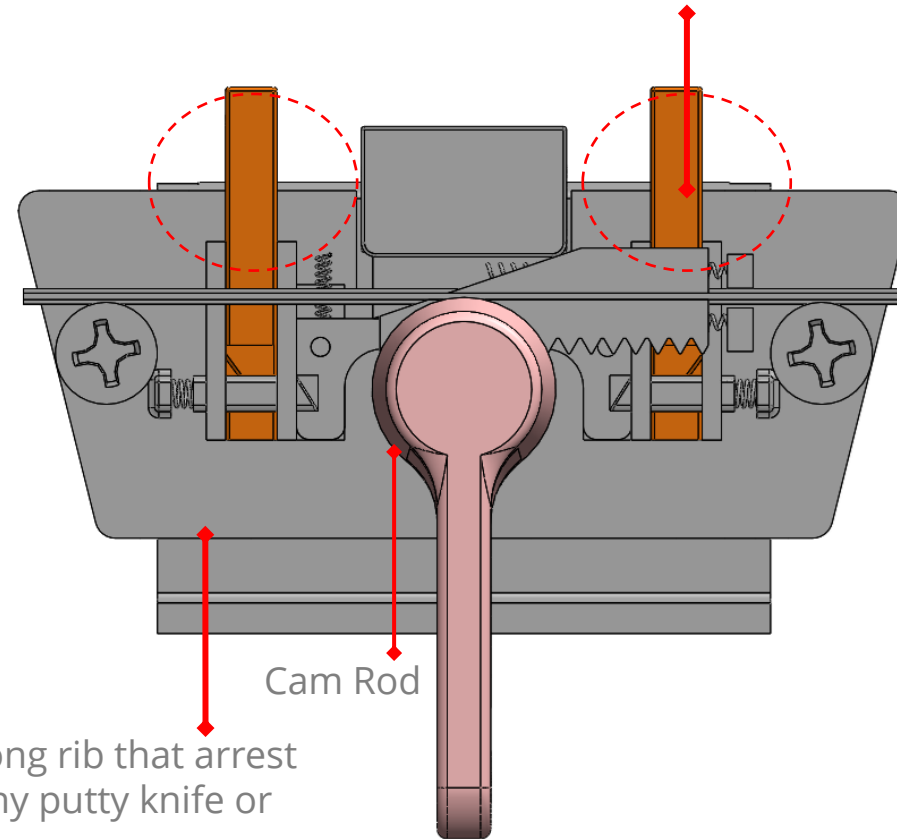


Auto Lock Mechanism

Unlocked To locked
position techniques



Here two stem works as button to get auto lock, it will interact with keeper and get auto lock



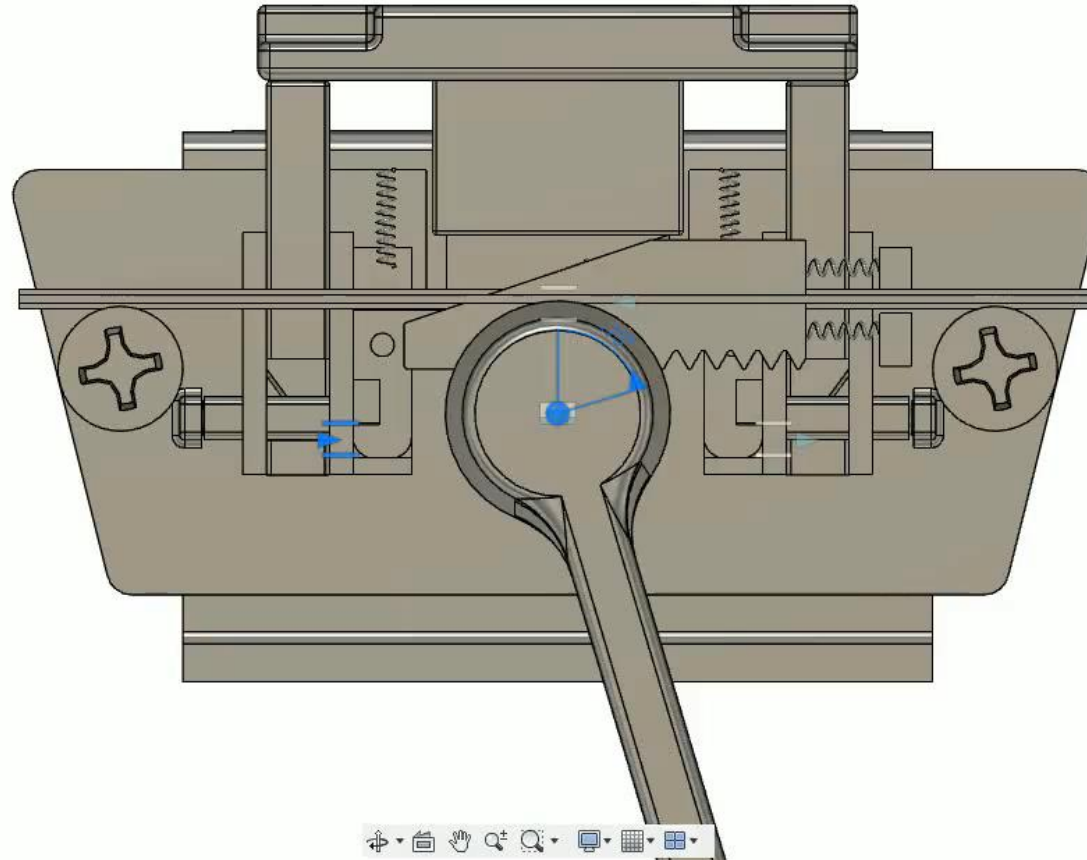
Providing a strong rib that arrest
Gap ,prevent any putty knife or
hard metal

Auto Lock Mechanism

BROWSER

- Traditional concept 4 v19 in r...
- Document Settings
- Named Views
- Origin
- Sketches
- Construction
- Traditional concept 4 v5 v1:1
 - Origin
 - Joints
 - Sketches
 - cover:1
 - bottom cover (3):1
 - Component26:1
 - Component25:1
 - Component29:1
 - Component27:1
 - Component29(Mirror):1
 - Component28:1
 - HANDLE:1
 - Slider:1
 - RACK:1
 - Rack rail:1
 - KEEPER (3) (1):1

COMMENTS



MOTION LINK

2 Joint Occurrences ⚠

Auto Lock Mechanism

